



THE STEAM GENERATOR FOR TOUGHER CHALLENGES

Ideal for any quality of water.
Patented scale management.
Condair **Omega Pro**



Humidification, Dehumidification and Evaporative Cooling

 **condair**



Condair Omega Pro steam humidifiers are optimized for use with demineralized water and drinking water. The design features employed ensure

outstanding reliability in use, precise control, and simple operation. The units are the result of decades of experience and they define the state

of the art in modern steam humidification.

Condair **Omega Pro**

Electric steam humidifier with patented scale management



High capacity and unwavering dependability

Especially commercial and large steam bath installations require steam generators with sufficient capacity and dependable reliability. Condair designed the Omega Pro, which makes use of ohmic heating, specifically for such applications.

Using demineralized water you can install the **Omega Pro VE** (without scale management)

Integrates seamlessly

Condair Omega Pro comes with all the common ports to enable its easy integration into building management systems (BMS), including Modbus, BACnet, etc.

Modbus[®]

ASHRAE BACnet



Patented scale management

A technical innovation that solves the scale problem.

The patented scale management removes the separated scale particles from the steam cylinder during operation and automatically leads them into the designated scale collection tank. Scale deposits are thus continuously removed from the steam cylinder.

The pieces of scale are collected in an external scale collection tank and can easily be emptied from there. Maintenance work is therefore significantly reduced and operational reliability maximized. The patented scale management system ensures reduced maintenance times and long life of RS steam humidifiers.

Easy cleaning and maintenance

Maintenance intervals are extremely long and the actual maintenance work is reduced to a minimum due to the external scale collection tank. The external location of the scale collection vessel below the unit ensures very easy access. The tank can be removed and emptied easily without the need for opening the unit housing. This makes maintenance tasks simple and very quick.

Innovative drain pump

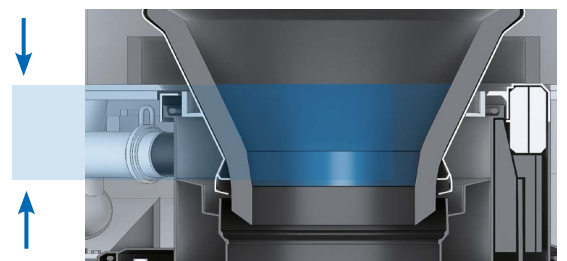
Scale incrustation is not only undesirable in the air humidifier itself; it can also cause problems in the drain piping of a building, if scale remains are left in the rinsing water. This can reduce the

drain pipe cross sections and even block them.

For this reason, in the RS steam humidifier, the drain pump has been placed above the scale collection tank. Scale deposits subside into the collection tank, where they accumulate. This prevents scale remains from being sucked in and transferred to the drain piping.

This arrangement of the drain pump protects the drainage system of the building against undesirable and problematic scale deposits.

Cold water pool protects in- and outlet against scale deposits





scale becomes attached



Patented scale management system dissolves incrustations



scale is removed from the unit into the collection tank



scale collection tank is emptied





 **condair**



Condair Spa Control Delta

The innovative spa control for simultaneous control of steam bath, caldarium, rasul, fin sauna, bio sauna. Perfect in combination with the Condair Omega Pro.

It is possible to control various accessories such as light, fragrance, fan, freely configurable relay. It enables managing a steam bath and a fin sauna simultaneously and independently of each other with the same display. Operation is via a modern touch display, which is available in various versions. Customisable display, you can upload your logo to appear on the screen.

External Touch Display

Optionally a remote touch display can be connected to the Omega Pro steam generator.

It is available as flush-mounted or wall-mounted version, with only 19-mm wall outstanding. You have the choice from three standard frames: brushed tainless steel, white or black glass. There are two different display layouts matching to the selected cover. The cleverly designed magnetic frame construction, however, also allows steam bath builders to individualize the fitting with a material of the customer's liking.

external display in three versions



Touch Controller for precise control

Touch Screen Display:

Thanks to an intuitive menu, the unit operates with ease, providing full-text fault messages for better interaction with the steam unit.

NOTE: There is no integral steam bath control system.

Optimum process transparency

The Condair Touch Controller allows verification of all unit and process data at a glance. Operating data can be called up in real time, and there is a comprehensive data history.

Precise control

The electronic control system allows the steam output to be varied continuously between 0 and 100%; this means accurate control and management of the steam supply rate.

Integrates seamlessly

Condair Omega Pro comes with all the common ports to enable its easy integration into building management systems (BMS), including Modbus, BACnet, etc.

Standard model

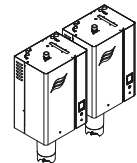
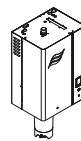
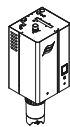
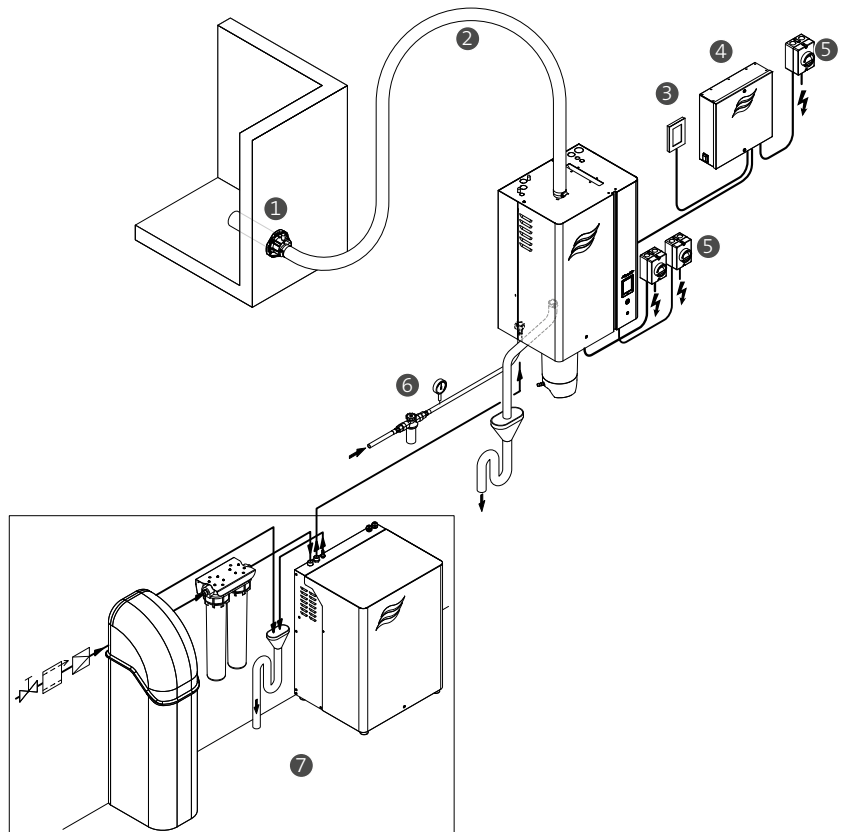
- Patented scale management
- External scale collection tank
- Cold water pool
- Touch screen operation
- Multilingual, user-friendly menu
- Program, service and information level
- Precise control
- Real-time clock and timer programming
- Div. control signals (0-10 V and more)
- Stainless steel steam cylinder
- Drainage pump
- Modbus and BACnet-connectivity
- Terminals
- Installation material

Accessories

- Steam nozzle [1]
- Steam distribution hose [2]
- External Spa Display [3]
- Spa Control Delta [4]
- Power disconnecter [5]
- Filter valve [6]
- Clean water system Condair RO-A (Option) [7]

Options

- RFI Remote and failure indication relay
- Mounting frame
- BMS interface LonWorks
- Drainage water cooling/ Hygiene flush
- CVI integrated control voltage 230V
- TR Transformer 400V to 230V
- Insulation steam cylinder
- Valve for automatically total drainage (Hygiene)*
- Overpressure security valve
- Without scale collection tank for RO water (VE)



Technical data

Condair Omega Pro		5	8	10	16	20	24	30	40	50	60	80	
Heating voltage		Maximum steam output in kg/h*											
400 VAC / 3Ph / 50..60Hz**	kg/h	5.1	8.1	9.9	16.1	19.8	24.2	29.8	40.0	49.6	59.0	80.0	
230 VAC / 1Ph / 50..60Hz	kg/h	5.0	8.0	9.8	-	-	-	-	-	-	-	-	
Nominal power	kW	3.8	6.0	7.4	12.0	14.9	18.0	22.5	30.0	37.5	44.6	60.0	
Control voltage		230VAC/ 1 Ph / 50..60Hz											
Dimensions (WxHxD)	mm	420 x 987 x 370			530 x 1097 x 406					2 x 530 x 1097 x 406			
Operating weight	kg	40	40	40	66	66	66	66	66	132	132	132	
Conformity		CE, VDE, DVGW											

* up to 160 kg (Link-up System)

** other heating voltages on request